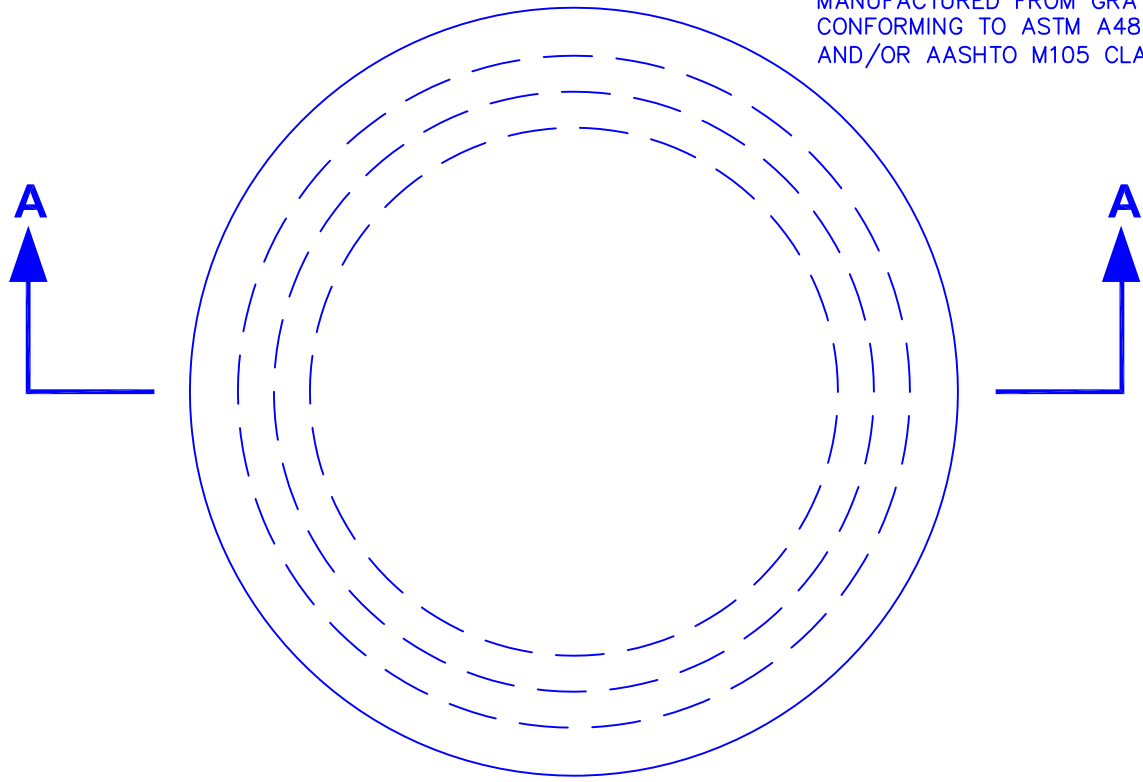
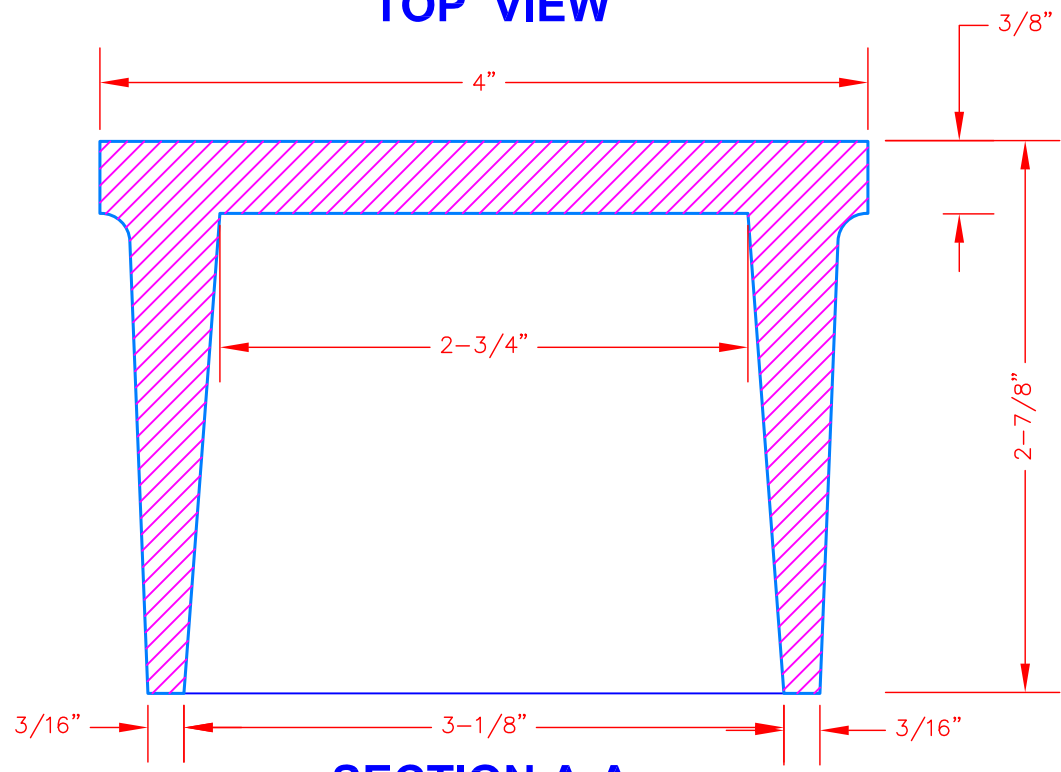


**NOTE:**  
 ALL CASTINGS SHALL BE  
 MANUFACTURED FROM GRAY IRON  
 CONFORMING TO ASTM A48 CLASS 35B  
 AND/OR AASHTO M105 CLASS 35B.



**TOP VIEW**



**SECTION A-A**

Location: I:\eng\ACAD\_STD\Technical Details\F - Castings\F-01 - Boston 3/4 Inch Main Tube Cap.dwg  
 Plotted on: Tuesday, September 9, 2014 - 1:50 PM by Donohoe, William



**Boston Water and  
 Sewer Commission**  
 980 HARRISON AVE., BOSTON, MA 02119  
 (617) 989-7000 www.bwsc.org

**BOSTON 3/4 INCH MAIN TUBE CAP**

Scale: Not To Scale

DATE:  
 Jan. 14, 2014

DETAIL NO.  
**F-01**