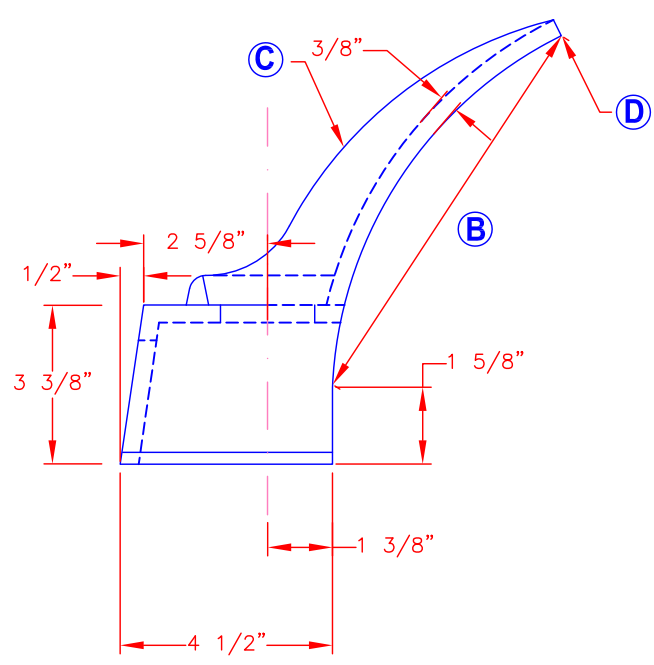
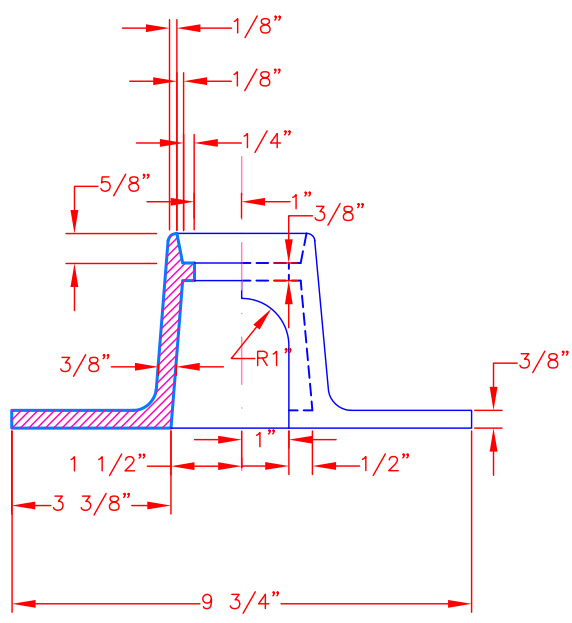


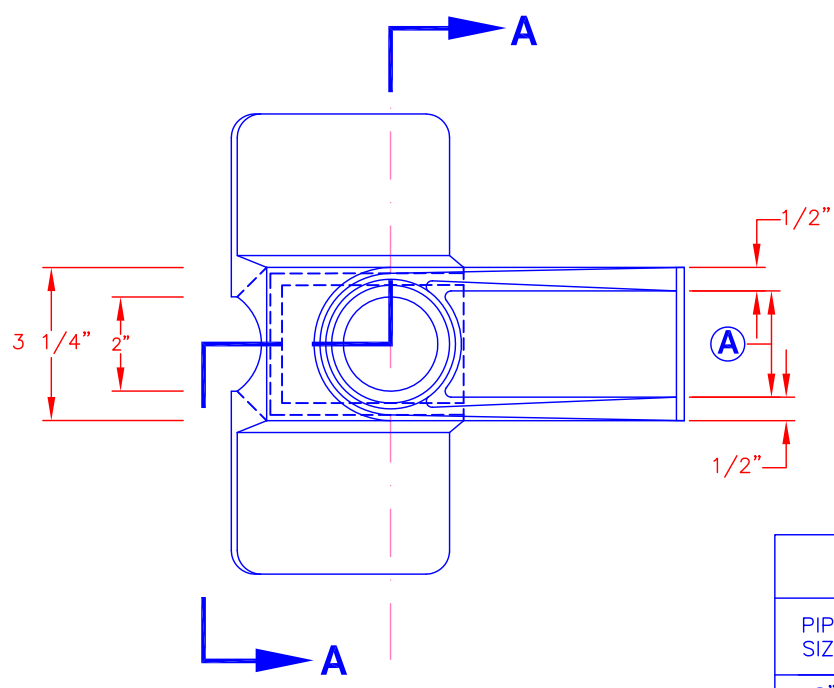
NOTE:
 ALL CASTINGS SHALL BE MANUFACTURED FROM GRAY IRON CONFORMING TO ASTM A48 CLASS 35B AND/OR AASHTO M105 CLASS 35B.



ELEVATION



SECTION A - A



PLAN

SCHEDULE				
PIPE SIZE	(A)	(B)	(C)	(D)
8"	1-3/4"	5-11/16"	5"	4-9/16"
12"	2-1/4"	7-13/32"	9-1/2"	6-5/8"
16"	2-1/4"	9"	9-1/2"	8-3/4"

Location:Filename: V:\eng\ACAD_STD\Technical\Details\F - Castings\F-03 - 3Q Inch Main Shoe.dwg
 Plotted on: Thursday, January 23, 2014 - 9:22 AM by Donohoe, William



Boston Water and Sewer Commission
 980 HARRISON AVE., BOSTON, MA 02119
 (617) 989-7000 www.bwsc.org

3/4" MAIN SHOE
 Scale: Not To Scale

DATE:
 Jan. 14, 2014

DETAIL NO.
F-03