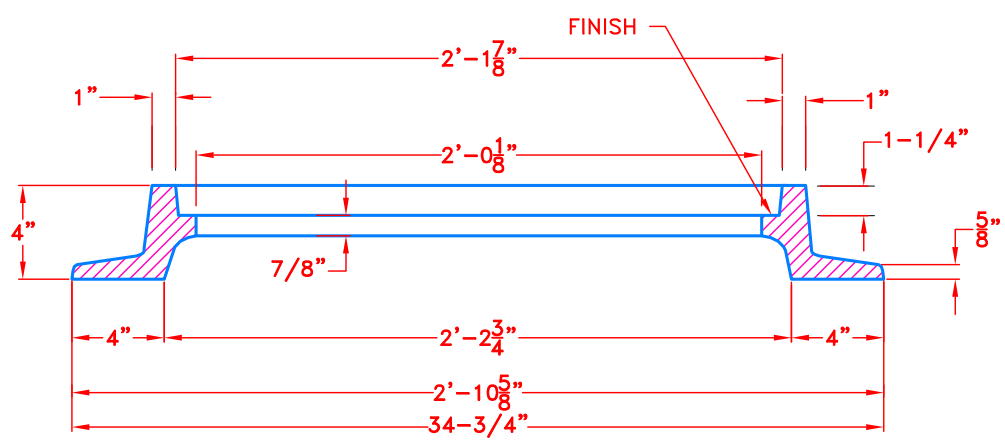
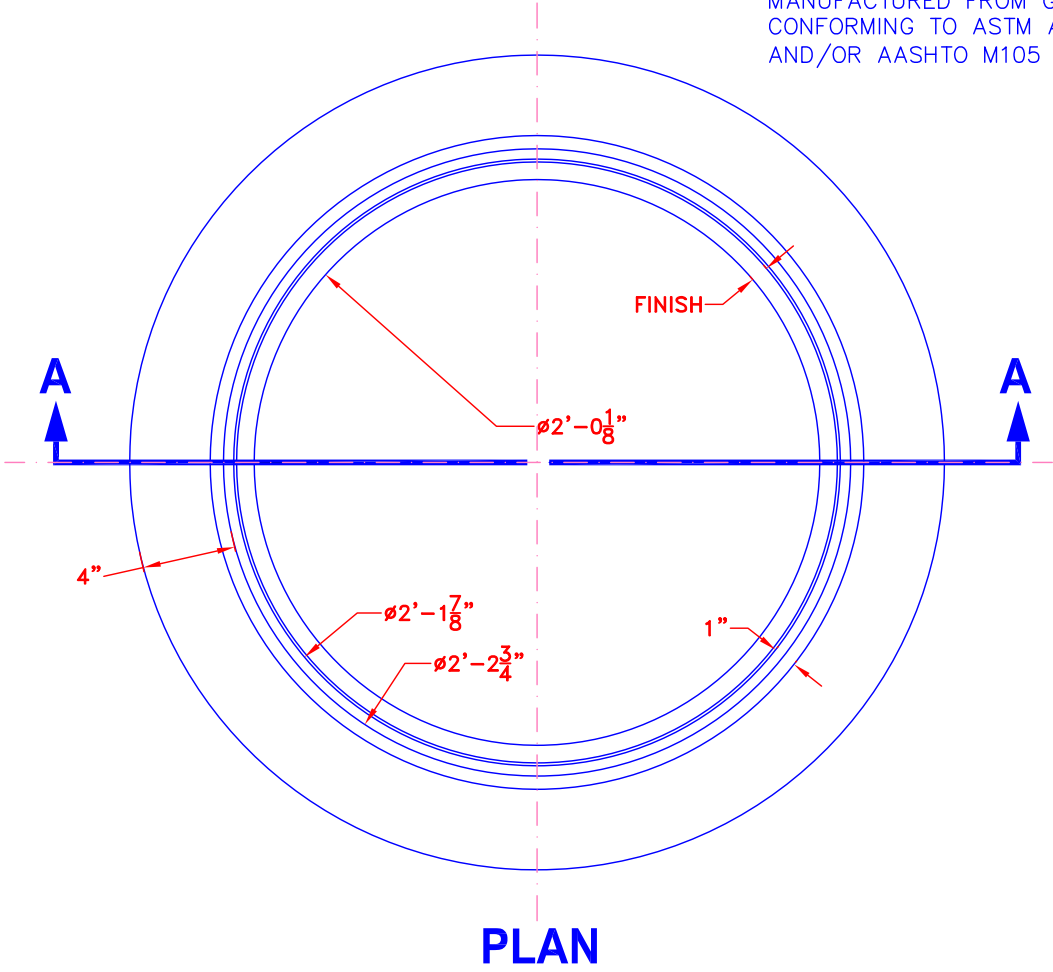


NOTE:
 ALL CASTINGS SHALL BE
 MANUFACTURED FROM GRAY IRON
 CONFORMING TO ASTM A48 CLASS 35B
 AND/OR AASHTO M105 CLASS 35B.



Location: I:\eng\ACAD_STD\Technical\Details\F - Castings\F-08 - Type A Manhole Shallow Frame.dwg
 Plotted on: Thursday, January 23, 2014 - 9:28 AM by Donohoe, William



Boston Water and Sewer Commission
 980 HARRISON AVE., BOSTON, MA 02119
 (617) 989-7000 www.bwsc.org

TYPE A MANHOLE SHALLOW FRAME

Scale: Not To Scale

DATE:
 Jan. 14, 2014

DETAIL NO.
F-08