

**NOTE:**

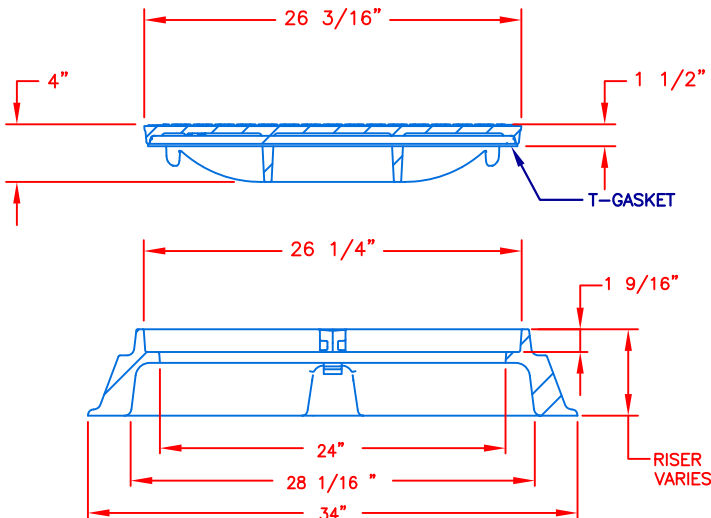
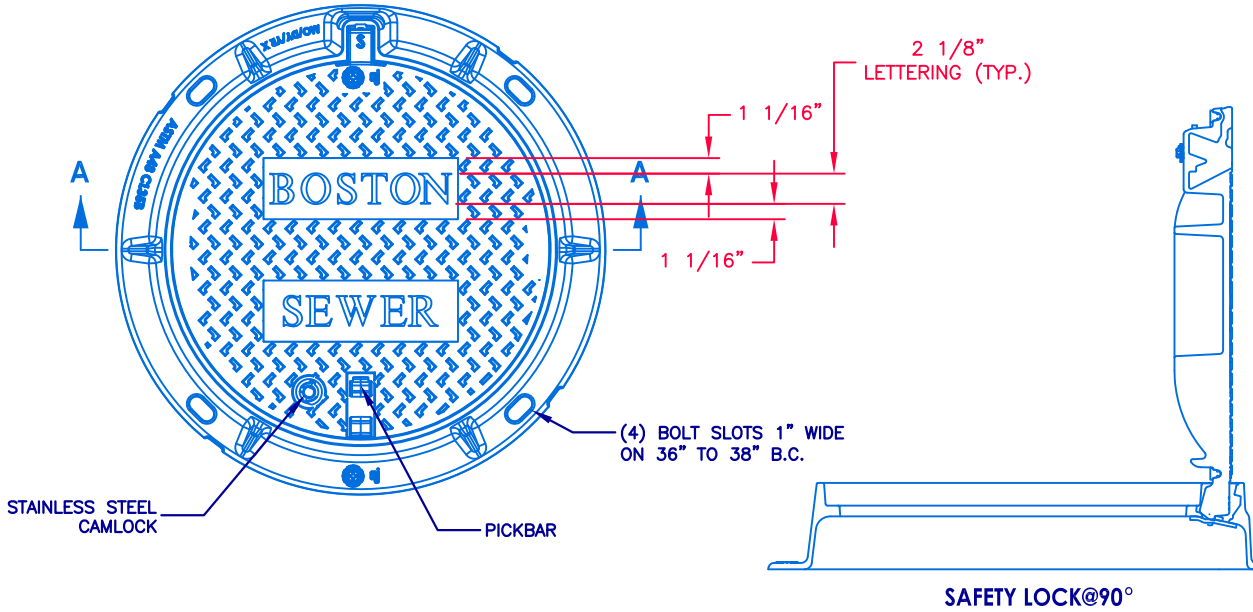
THE WORD "BOSTON SEWER" OR "BOSTON DRAIN" SHALL BE CUT ON SURFACE SEWER COVER.

**FONT:**

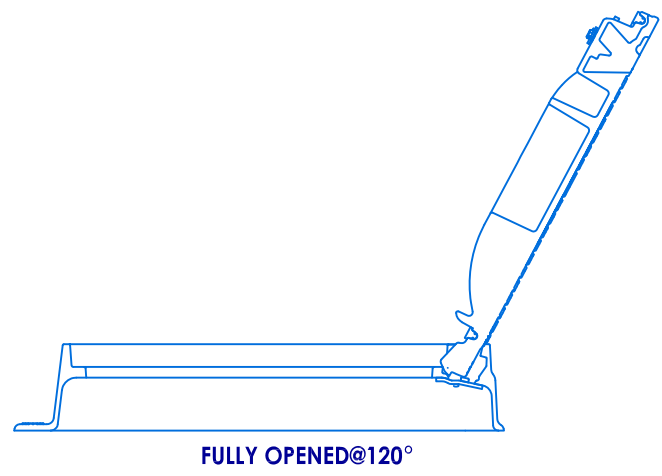
"BOSTON SEWER" OR "BOSTON DRAIN" BOOKMAN OLD STYLE

**NOTE:**

ALL CASTINGS SHALL BE MANUFACTURED FROM DUCTILE IRON CONFORMING TO ASTM A536 AND ASTM A48.



**SECTION A-A**



**FULLY OPENED@120°**

SEWER MANHOLE FRAME AND COVER	
SIZE	RISER (H)
24"	4 1/2"
	8"

Location:Filename: V:\eng\ACAD\_STD\Technical Details\F-Castings\F-11 - Hinged Manhole Frame and Cover (OPS).dwg  
Plotted on: Wednesday, May 16, 2018 - 12:21 PM by Donohoe, William



**Boston Water and Sewer Commission**  
980 HARRISON AVE., BOSTON, MA 02119  
(617) 989-7000 www.bwsc.org

**24-INCH DUCTILE IRON HINGED MANHOLE FRAME AND COVER**

Scale: Not To Scale

DATE:  
May 07, 2018

DETAIL NO.  
**F-11a**