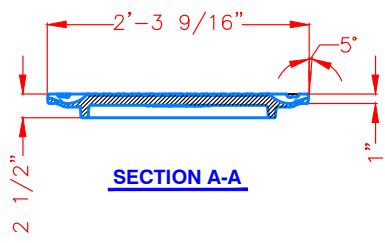
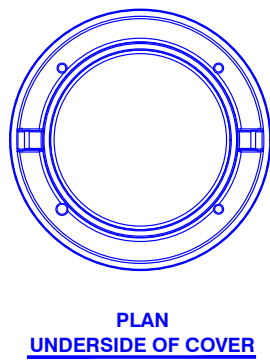
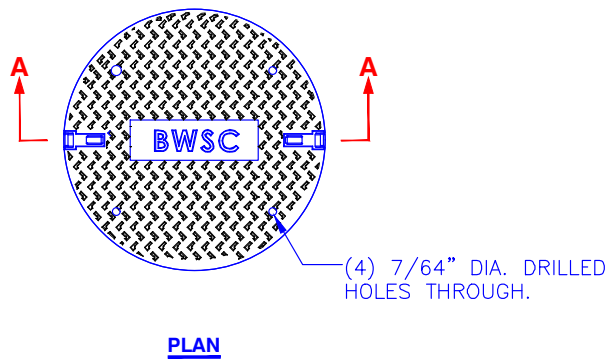
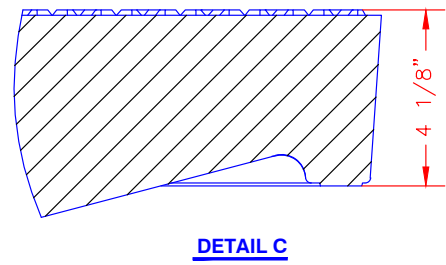
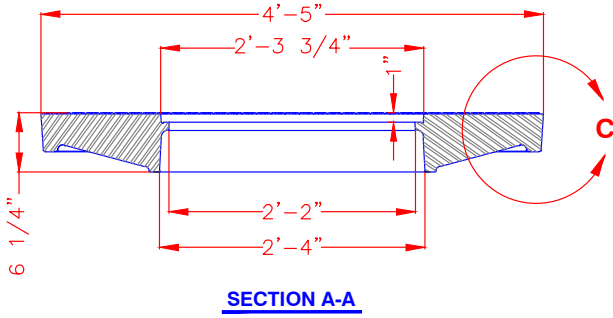
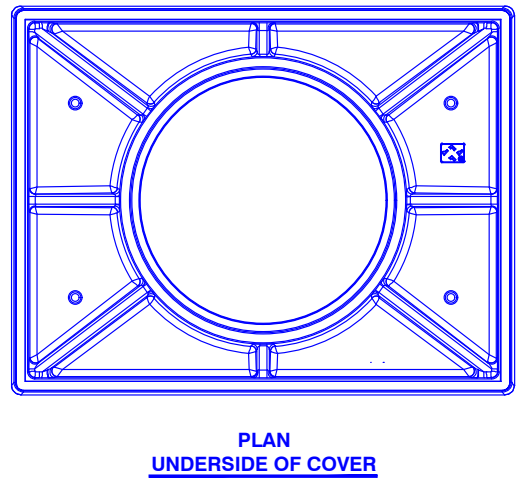
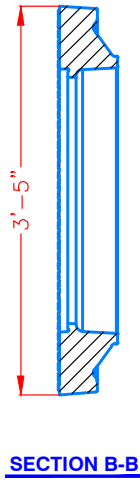


(4) 3/4" x 1 1/4" DIA.  
 Ⓞ BOTTOM LIFT HOLES



Location: F:\New F-06 - G Frame Deck with Center Cover.dwg  
 Plotted on: Thursday, March 31, 2022 - 9:51 AM by: Nguyen, Tom



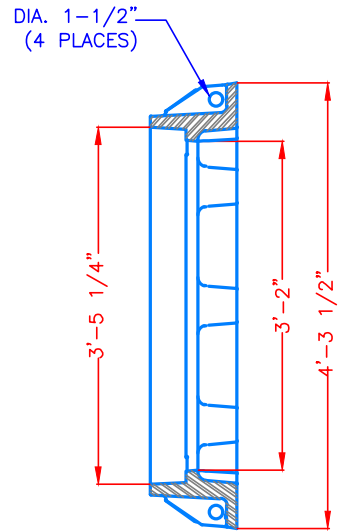
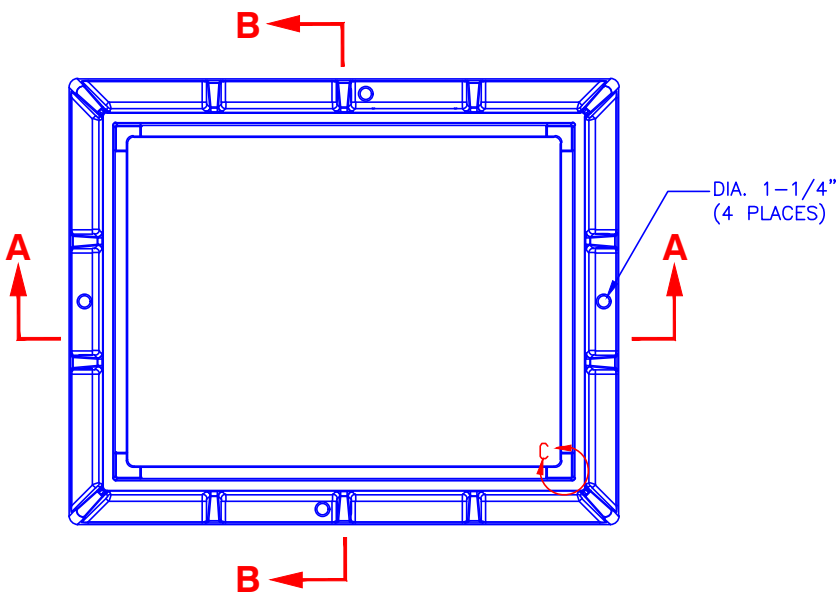
**Boston Water and  
 Sewer Commission**  
 980 HARRISON AVE., BOSTON, MA 02119  
 (617) 989-7000 www.bwsc.org

**G FRAME DECK WITH  
 CENTER COVER**  
 Scale: Not To Scale

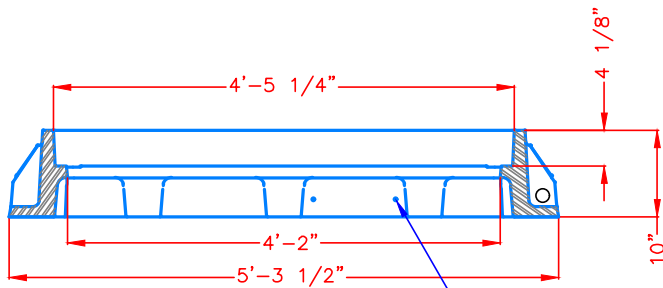
DATE:  
 Mar. 30, 2022

DETAIL NO.  
**F1-06a**

Location: C:\CadFiles\New F-06 - G Frame Deck with Center Cover.dwg  
 Plotted on: Thursday, March 31, 2022 - 9:51 AM by Nguyen, Tom

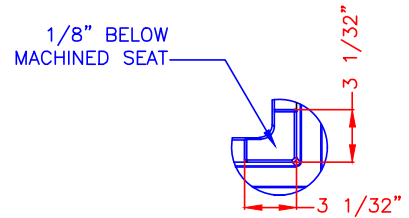


**SECTION B-B**



**SECTION A-A**

(2)-7/64" DIA.  
 DRILLED HOLES THROUGH.



**DETAIL C**



**Boston Water and  
 Sewer Commission**

980 HARRISON AVE., BOSTON, MA 02119  
 (617) 989-7000 www.bwsc.org

**G FRAME**

Scale: Not To Scale

DATE:  
 Mar. 30, 2022

DETAIL NO.  
**F1-06b**