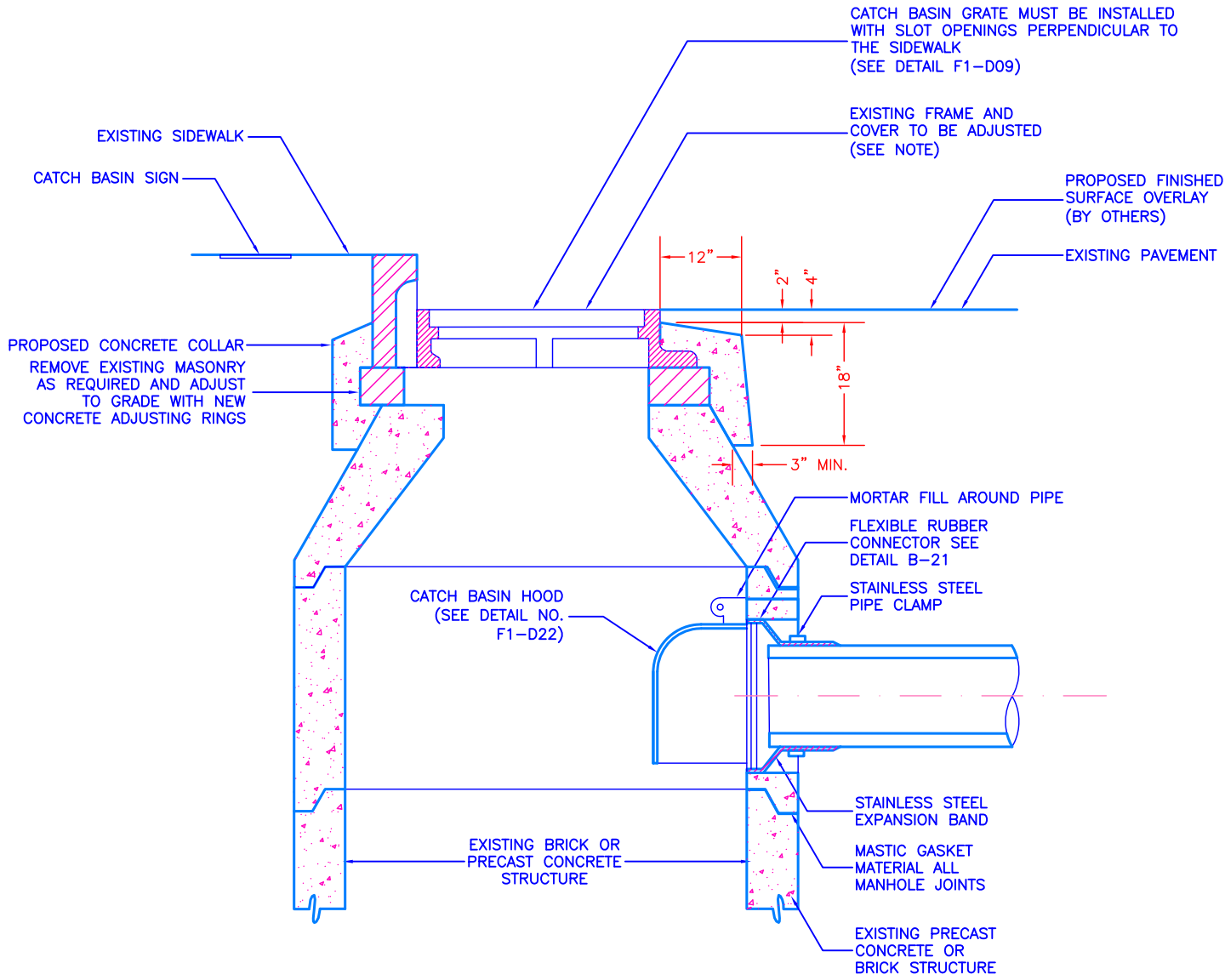


Location:Filename: V:\eng\ACAD_STD\Technical Details\B - Sewer Details\B-01a - Catch Basin Adjustment to Grade.dwg
 Plotted on: Monday, October 21, 2013 - 2:47 PM by Donohoe, William



NOTE:
 OVERLAY BY OTHERS WILL BE 1- $\frac{1}{4}$ " AT
 CENTERLINE TAPERING TO 1" AT CURBLINE



**Boston Water and
 Sewer Commission**

980 HARRISON AVE., BOSTON, MA 02119
 (617) 989-7000 www.bwsc.org

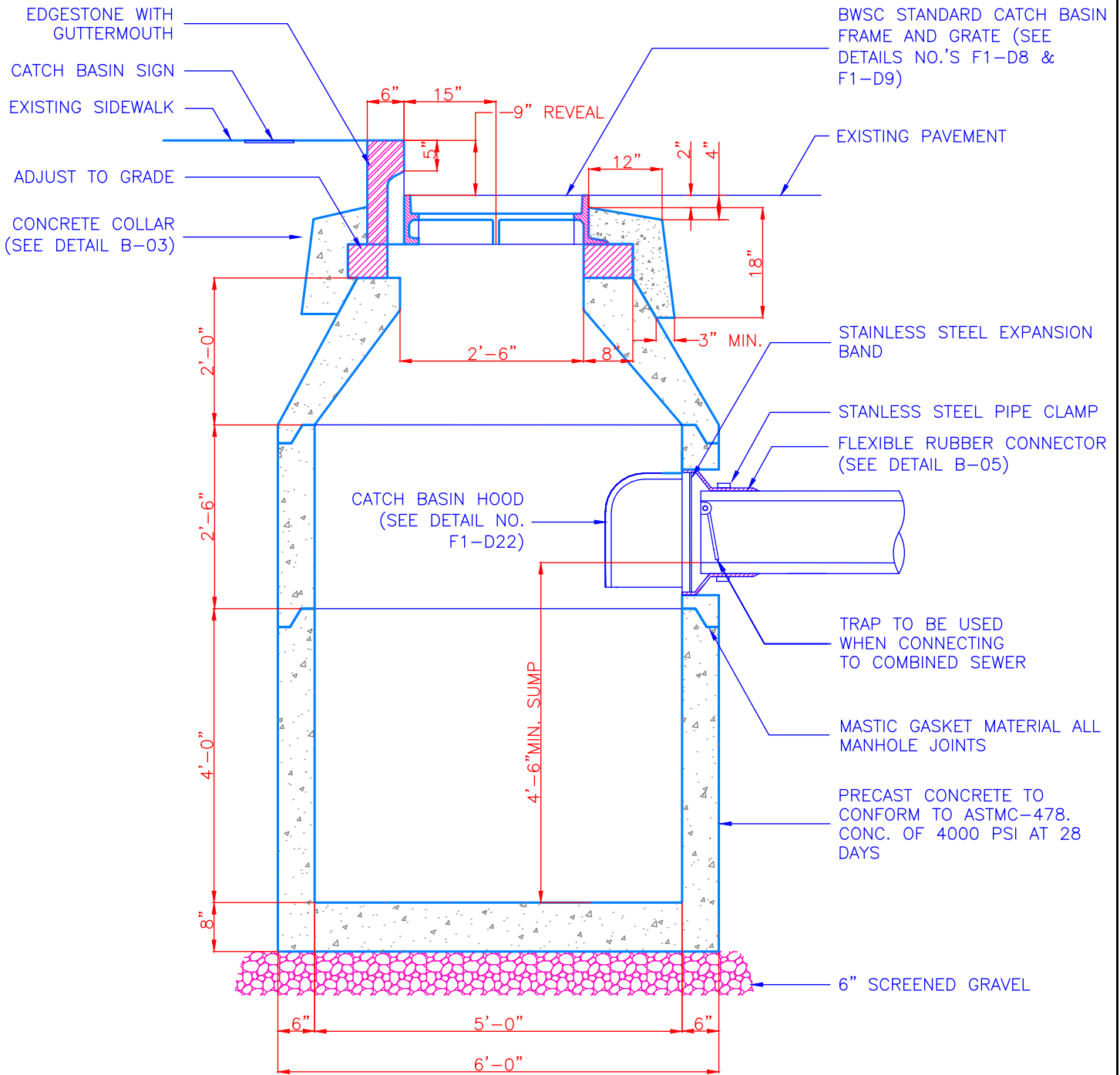
CATCH BASIN ADJUSTMENT TO GRADE

Scale: Not To Scale

DATE:
 Oct. 21, 2013

DETAIL NO.
B-01a

Location\Filename: V:\eng\ACAD_STD\Technical Details\B - Sewer Details\To be reviewed\DED_B-01b - Standard Catch Basin No 5.dwg
 Plotted on: Tuesday, August 6, 2019 - 12:49 PM by Devlin Denise



BWSC STANDARD EDGESTONE GUTTERMOUTH IS (72" L X 6" W X 18" H) WITH 3" RADIUS INLET THROAT ROUNDING. MINIMUM WIDTH IS 6". ALL OTHER DIMENSIONS TOLERANCES TO ±1".



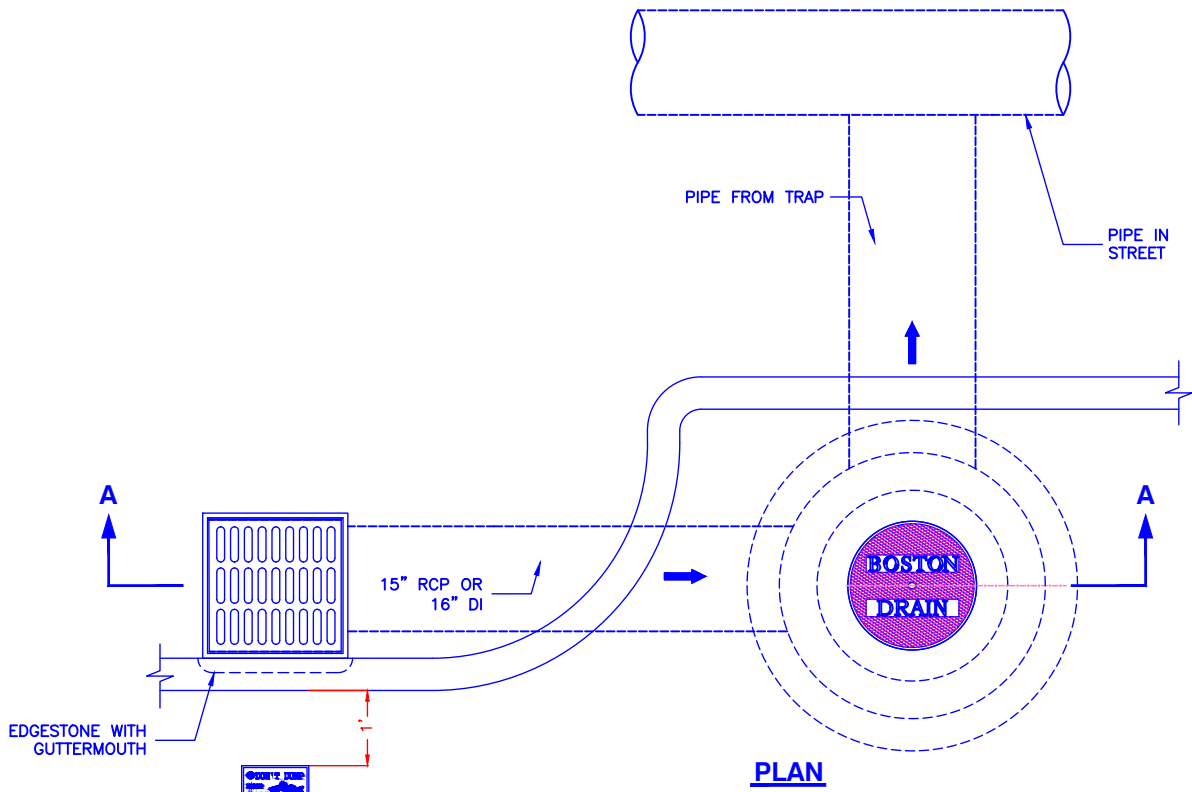
Boston Water and Sewer Commission
 980 HARRISON AVE., BOSTON, MA 02119
 (617) 989-7000 www.bwsc.org

STANDARD CATCH BASIN NO. 5

Scale: Not To Scale

DATE:
 Aug. 05, 2019

DETAIL NO.
 B-01b



PLAN

CATCH BASIN FRAME AND GRATE, (SEE DETAILS F1-D8 & F1-D9) CATCH BASIN GRATE MUST BE INSTALLED WITH SLOT OPENINGS PERPENDICULAR TO THE SIDEWALK

PAVEMENT
CONCRETE COLLAR (TYP.)
FRAME TO BE SET IN FULL MORTAR BED

SCREENED GRAVEL
INVERT PLACED TO SLOPE TO OUTLET

NOTE:
(SEE DETAIL B-01B FOR GUTTERMOUTH DETAIL)

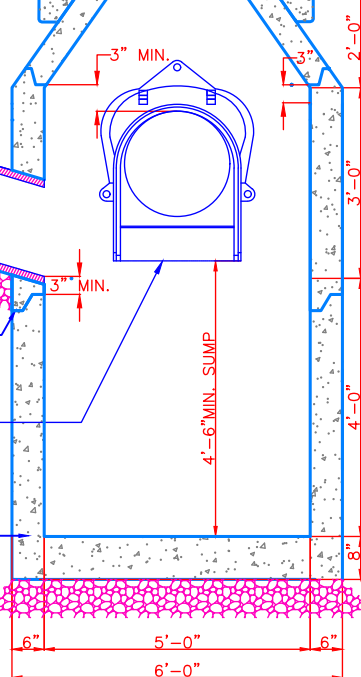
15" RCP OR 16" DI (SEE B-01e)

MASTIC GASKET MATERIAL ALL MANHOLE JOINTS
CATCH BASIN HOOD TO BE USED WHEN CONNECTED TO STORM DRAIN, CATCH BASIN HOOD & TRAP TO BE USED WHEN CONNECTED TO COMBINED SEWER

PRECAST CONCRETE TO CONFORM TO ASTM C-478, CONC. OF 4000 PSI AT 28 DAYS

6" SCREENED GRAVEL

SIDEWALK
TYPE "A" FRAME AND COVER TO BE MARKED "DRAIN". SEE DETAIL F1-D01
GRADE RING (TYP.)



SECTION A - A

Location:Filename: V:\eng\ACAD_STDT\Technical Details\B - Sewer Details\B-01c - Sump Structure with Drop Inlet.dwg
Plotted on: Monday, June 12, 2023, 3:05 PM by Devlin Denise



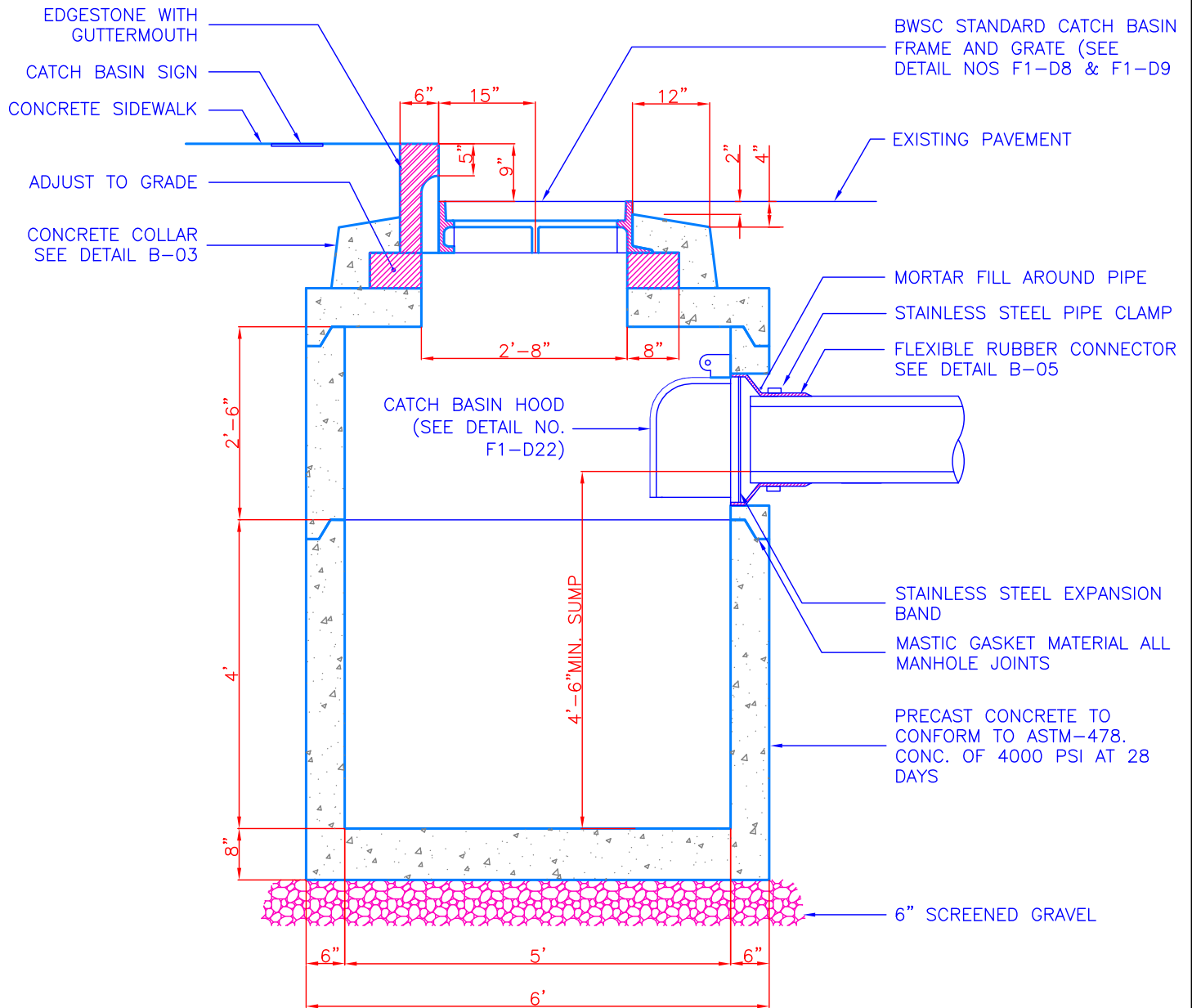
Boston Water and Sewer Commission
980 HARRISON AVE., BOSTON, MA 02119
(617) 989-7000 www.bwsc.org

SUMP STRUCTURE WITH DROP INLET

Scale: Not To Scale

DATE:
June 12, 2023

DETAIL NO.
B-01c



Location/Filename: V:\eng\ACAD_STD\Technical Details\B - Sewer Details\B-01d - Shallow Catch Basin.dwg
 Plotted on: Monday, October 21, 2013 - 2:47 PM by Donohoe, William



Boston Water and Sewer Commission

980 HARRISON AVE., BOSTON, MA 02119
 (617) 989-7000 www.bwsc.org

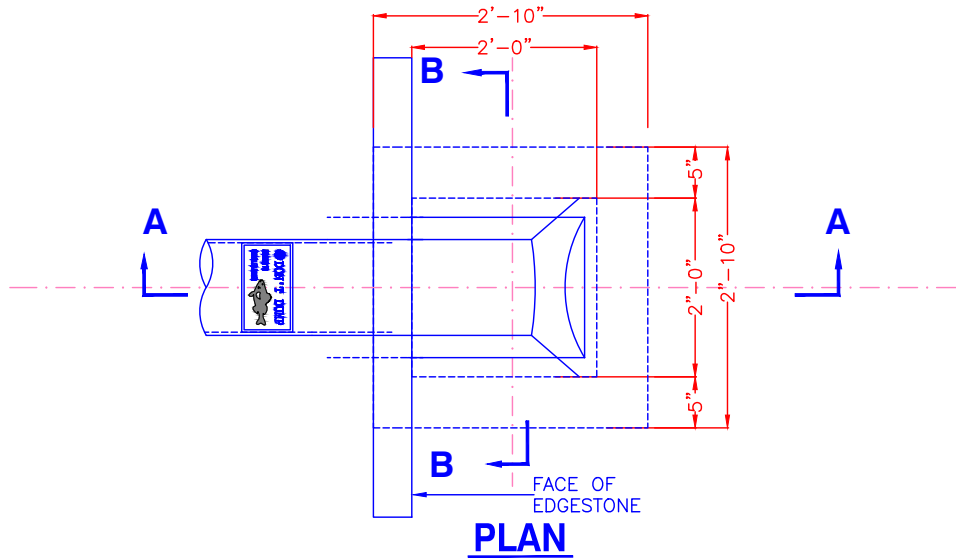
SHALLOW CATCH BASIN

Scale: Not To Scale

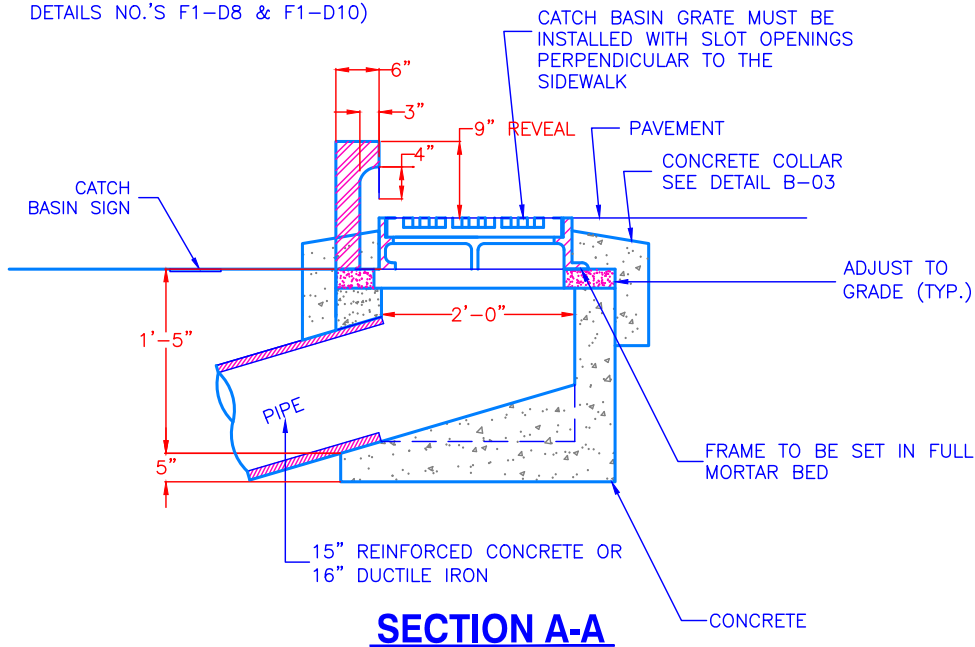
DATE:
 Oct. 21, 2013

DETAIL NO.
B-01d

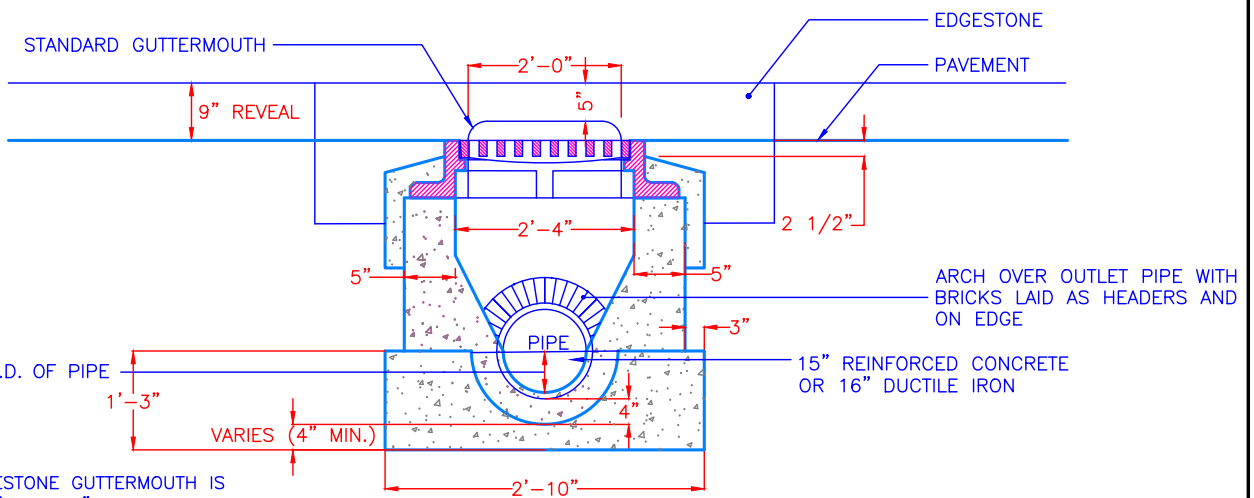
Location:Filename: V:\eng\ACAD_STDT\Technical Details\B - Sewer Details\B-01e - Drop Inlet with Guttermouth.dwg
 Plotted on: Monday, June 12, 2023 - 3:35 PM by Devlin Denise



B.W.S.C. FRAME AND COVER, E-6 (SEE DETAILS NO.'S F1-D8 & F1-D10)



SECTION A-A



SECTION B-B

BWSC STANDARD EDGESTONE GUTTERMOUTH IS (72"L X 6"W X 18"H) WITH 3" RADIUS INLET THROAT ROUNDING. MINIMUM WIDTH IS 6". ALL OTHER DIMENSION TOLERANCES TO ±1".



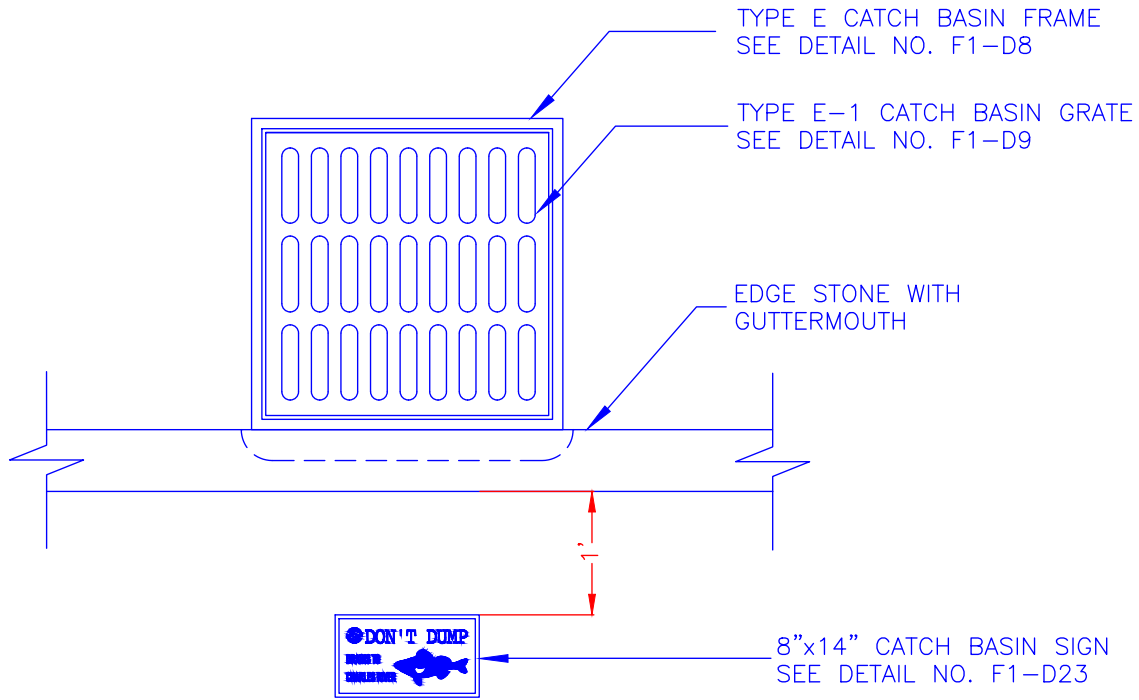
Boston Water and Sewer Commission
 980 HARRISON AVE., BOSTON, MA 02119
 (617) 989-7000 www.bwsc.org

DROP INLET WITH GUTTERMOUTH

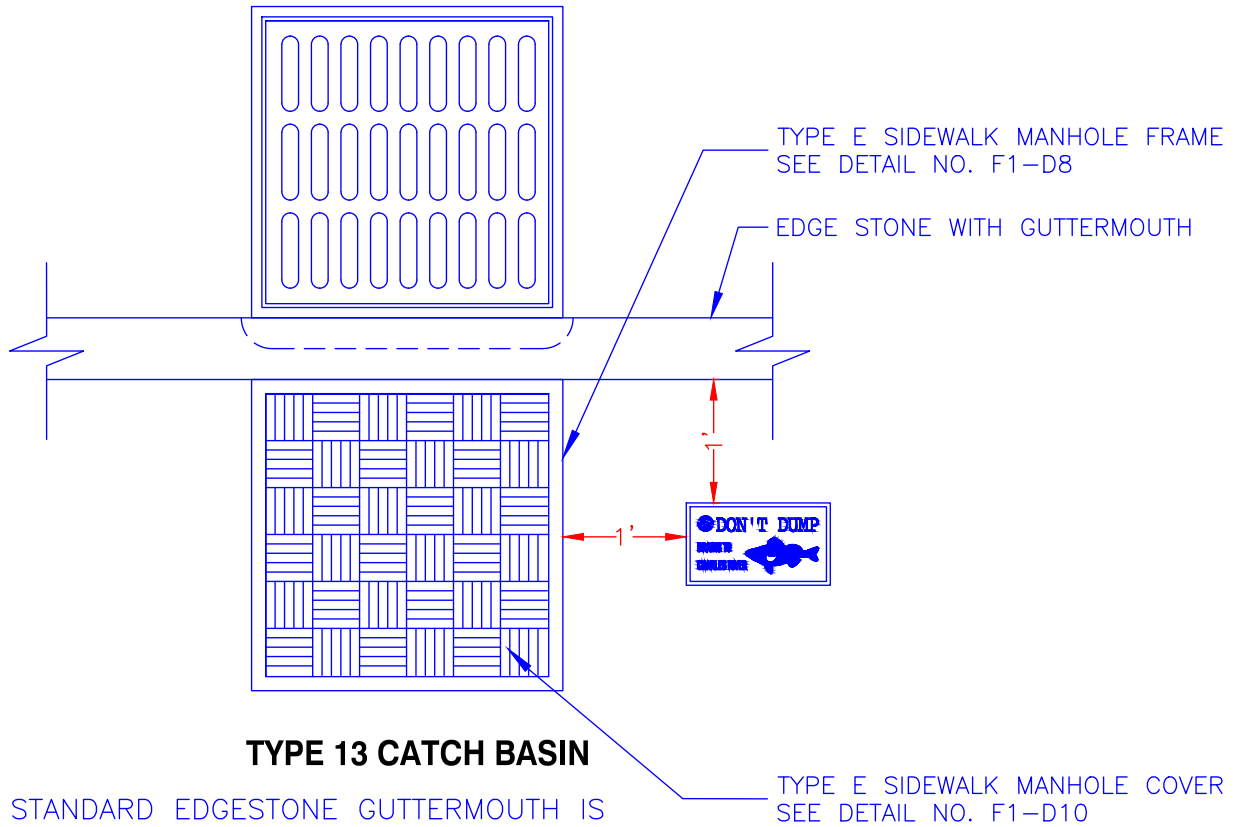
Scale: Not To Scale

DATE:
 June 12, 2023

DETAIL NO.
B-01e



STANDARD CATCH BASIN



TYPE 13 CATCH BASIN

BWSC STANDARD EDGESTONE GUTTERMOUTH IS (72" L X 6" W X 18" H) WITH 3" RADIUS INLET THROAT ROUNDING. MINIMUM WIDTH IS 6". ALL OTHER DIMENSION TOLERANCES TO $\pm 1"$.

Location: V:\eng\ACAD_STD\Technical Details\B - Sewer Details\To be reviewed\DED_B-01f - Catch Basin Sign Installation.dwg
Plotted on: Monday, August 5, 2019, 5:16 PM by Devlin Denise



Boston Water and Sewer Commission
980 HARRISON AVE., BOSTON, MA 02119
(617) 989-7000 www.bwsc.org

CATCH BASIN SIGN INSTALLATION

Scale: Not To Scale

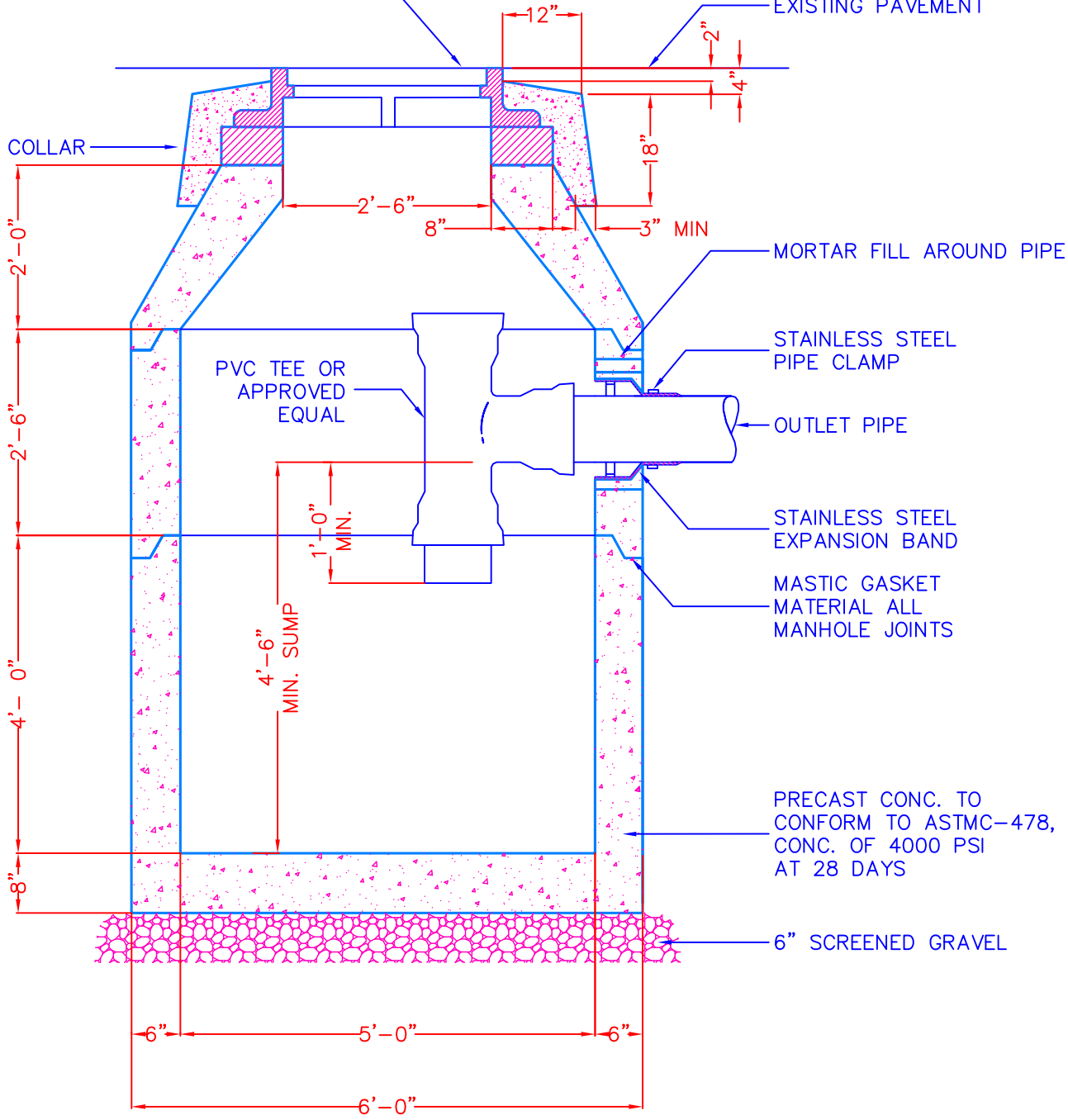
DATE:
Aug. 05, 2019

DETAIL NO.
B-01f

BWSC STANDARD
CATCH BASIN
FRAME AND GRATE

EXISTING PAVEMENT

CONCRETE COLLAR



MORTAR FILL AROUND PIPE

PVC TEE OR
APPROVED
EQUAL

STAINLESS STEEL
PIPE CLAMP

OUTLET PIPE

STAINLESS STEEL
EXPANSION BAND

MASTIC GASKET
MATERIAL ALL
MANHOLE JOINTS

PRECAST CONC. TO
CONFORM TO ASTM C-478,
CONC. OF 4000 PSI
AT 28 DAYS

6" SCREENED GRAVEL

Location:Filename: V:\eng\ACAD_STD\Technical Details\B - Sewer Details\B-01g - Catch Basin with Oil Trap Outlet.dwg
Plotted on: Tuesday, January 15, 2013 - 12:38 PM by Donohoe, William



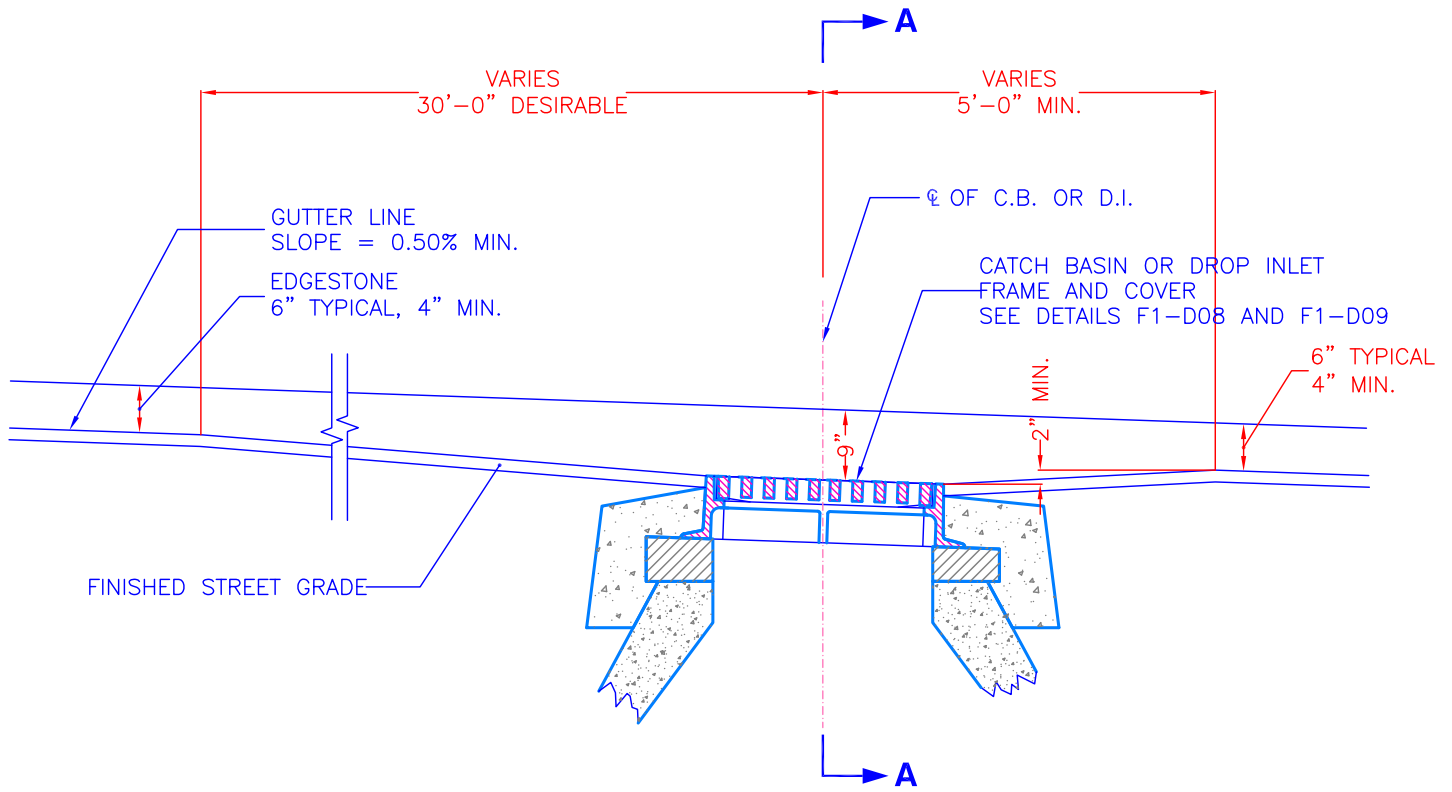
**Boston Water and
Sewer Commission**
980 HARRISON AVE., BOSTON, MA 02119
(617) 989-7000 www.bwsc.org

CATCH BASIN WITH OIL TRAP OUTLET

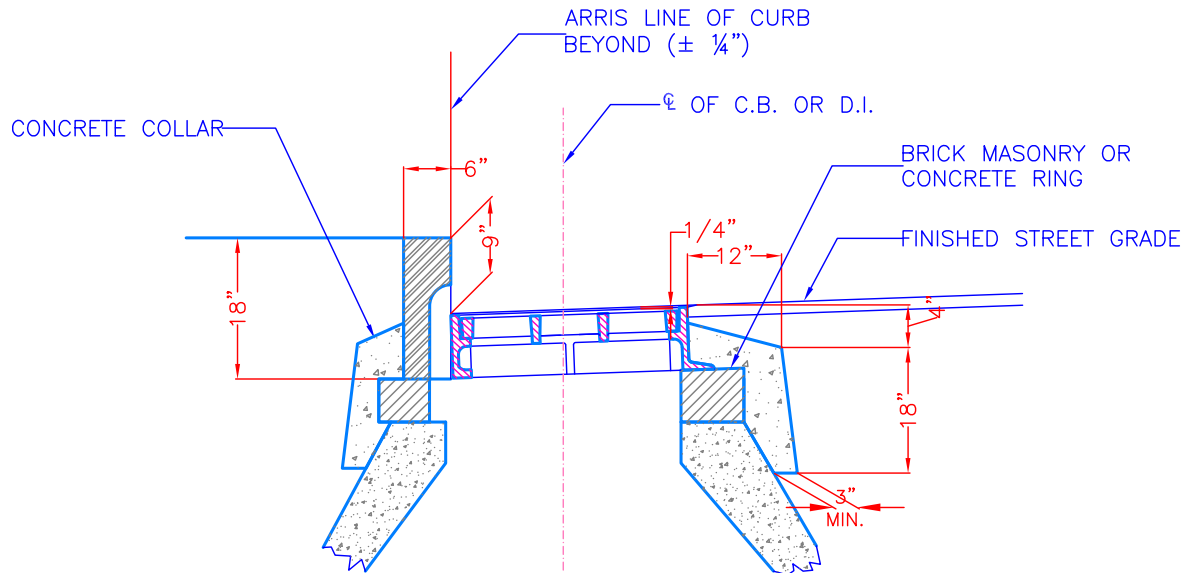
Scale: Not To Scale

DATE:
June 30, 2012

DETAIL NO.
B-01g



PROFILE ALONG GUTTER LINE



SECTION A-A

Location:Filename: V:\eng\ACAD_STD\Technical Details\B - Sewer Details\B-01h - Tolerances for Setting Catch Basin and Curb Inlet Frame.dwg
Plotted on: Tuesday, January 15, 2013 - 12:49 PM by Donohoe, William



Boston Water and Sewer Commission

980 HARRISON AVE., BOSTON, MA 02119
(617) 989-7000 www.bwsc.org

TOLERANCES FOR SETTING CATCH BASIN AND CURB INLET FRAME

Scale: Not To Scale

DATE:
June 30, 2012

DETAIL NO.
B-01h